

ATLAS

Material Handler 230MH

FAST. RELIABLE. VERSATILE.

230MH



22.4 - 23 t



116 kW (158 hp)



10.3 - 12.7 m



Technical specifications

ENGINE

Power according to ISO 9249.....116kW (158 hp)	Cylinder capacity.....6700 cm ³	Battery.....2x 12V/2x 100Ah
RPM.....1800/min	Number of cylinders.....6	Alternator.....24 V/70Ah
Make.....CUMMINS QSB 6.7	Cooling system.....Water-cooled	Starter.....24V/3.2kW
Design.....Turbocharger / intercooler	Air filter.....Dry air filter	

HYDRAULIC SYSTEM

<ul style="list-style-type: none"> 2 Load limit-controlled high-performance piston pumps Dual-circuit hydraulic system 7 standard consumer loads in one control block Grab and grab-rotating function Up to 2 additional control circuits possible Fuel-efficient flow-on-demand control Sensitive, proportional, independent control 	<ul style="list-style-type: none"> Primary and secondary protection against overload Pump flow control Suction valves for all work functions Load-retaining and fine-drop valve in lifting circuit Pipe-break protection valves for lifting cylinders 2 additional circuits for additional consumer loads possible 	<ul style="list-style-type: none"> Operating modes: 3 pre-programmed modes (Fine, Eco, Power) Max. oil flow.....380 l/min Max. operating pressure.....340 (370) bar <small>(Values when pressure boost is switched on)</small> Proportional grab turning
--	--	--

SWING ASSEMBLY

<ul style="list-style-type: none"> Swing motor: Axial piston motor with priority valve Swing gear: Planetary transmission Swing brake: Automatic multidisc brake 	<ul style="list-style-type: none"> Max. swing speed11/min Swing torque63.2kNm
---	---

TRACTION DRIVE AND BRAKES

<ul style="list-style-type: none"> Variable displacement motor Power-shift transmission Double-acting brake valve Driving direction pre-selection via switch in joystick 	<ul style="list-style-type: none"> Maximum speed20 km/h Terrain speed5 km/h Crawling speed1 km/h Tractive force91.8 kN Max. gradeability55% 	<ul style="list-style-type: none"> Dual circuit brake systemMulti-disc Parking brakeMulti-disc
--	--	--

UNDERCARRIAGE

<ul style="list-style-type: none"> 40 t special excavator axles 	<ul style="list-style-type: none"> Steering axle with automatic oscillating axle blocking 	<ul style="list-style-type: none"> 8 tyres10.00 - 20
--	--	---

FILL CAPACITIES

<ul style="list-style-type: none"> Fuel tank 389 Liter Cooling system 42 Liter 	<ul style="list-style-type: none"> Engine oil 20 Liter Hydraulic tank 216 Liter 	<ul style="list-style-type: none"> Hydraulics system400 Liter
--	---	--

DRIVER'S CAB

<ul style="list-style-type: none"> Meets latest safety standards Extra large entry zone Spacious leg room Excellent circumferential visibility Preparation for radio installation with mute function 	<p>CONTROL:</p> <ul style="list-style-type: none"> Ergonomic joysticks Slim steering column, height and tilt adjustable Indicators, controls and operating switches are clearly arranged 	<p>CLIMATE CONTROL:</p> <ul style="list-style-type: none"> Air conditioning with Climatronic Very good air distribution through optimally arranged nozzles
<p>DRIVER'S SEAT:</p> <ul style="list-style-type: none"> Air-cushioned comfort seat (optional seat heating) Arm rests and lumbar support Seat adjustable separately from console 	<p>MONITORING</p> <ul style="list-style-type: none"> Operating data display screen Automatic system for monitoring, warning and storage of data 	<p>SOUND LEVELS:</p> <ul style="list-style-type: none"> ISO6396 (L_{PA}) in driver's cab74 dB(A) 2000/14EG (L_{WA}) ambience level102 dB(A)

Working equipment

OPERATING WEIGHTS

	LOADING BOOM 6.20 m (C21.5i)	LOADING BOOM 6.80 m (C21.6i)	ADJUSTABLE BOOM Base Arm 1.95 m (C21.41) Boom 4.23 m (C21.46)
	Stick 4.80 m (D21.15i)	Stick 5.30 m (D21.16i)	Stick 2.65 m (D21.33)
DB / outriggers	22.4 t	22.8 t	23.4 t
4 outriggers	22.6 t	23.0 t	23.6 t

Operating weight with driver, solid rubber tyres, completely filled implement and 1.0 t for attachments and 1.4 t for lift-cab (option).

EQUIPMENT

<p>BASIC DEVICE ATLAS 230MH</p> <ul style="list-style-type: none"> 230MH material handler with DB on steering axle, double outrigger support on steering axle and 2 lifting cylinders (A19.35) *DB - Dozer blade 230MH material handler with quadruple outrigger support and 2 lifting cylinders (A84.32) 	<p>Standard equipment</p> <p>Engine:</p> <ul style="list-style-type: none"> Automatic idle Diesel pre-filter Engine monitoring <p>Hydraulics:</p> <ul style="list-style-type: none"> Grab and grab-rotating function Accumulator for emergency lowering of the arm system Pipe break protection valves for lifting cylinders Overload warning device Cylinder end-position damping Max. load-limit control 	<ul style="list-style-type: none"> Slim steering column, height and tilt adjustable Ready for electric cooling box Different options for storage, compartment for documents Seat adjustable separately from console Rear view security camera with 5" LCD-colour monitor Heat-absorbing glass, tinted windows Automotive drive and cruise control <p>Equipment:</p> <ul style="list-style-type: none"> Combined lubricating points for swing bearing and arm equipment <p>Undercarriage:</p> <ul style="list-style-type: none"> Power-shift transmission Wet disc brakes Tool box in the undercarriage
<p>Mono Booms:</p> <ul style="list-style-type: none"> Loading boom 6.20 m (C21.5i) Loading boom 6.80 m (C21.6i) <p>Mono Sticks:</p> <ul style="list-style-type: none"> Stick 4.80 m (D21.15i) Stick 4.80 m (D21.15i) Stick 5.30 m (D21.16i) 	<p>Adjustable Boom:</p> <ul style="list-style-type: none"> Base Arm 1.95 m (C21.41) Boom 4.23 m (C21.46) Stick 2.65 m (D21.33) 	<p>Cab:</p> <ul style="list-style-type: none"> Air-conditioning Preparation for radio installation with mute function

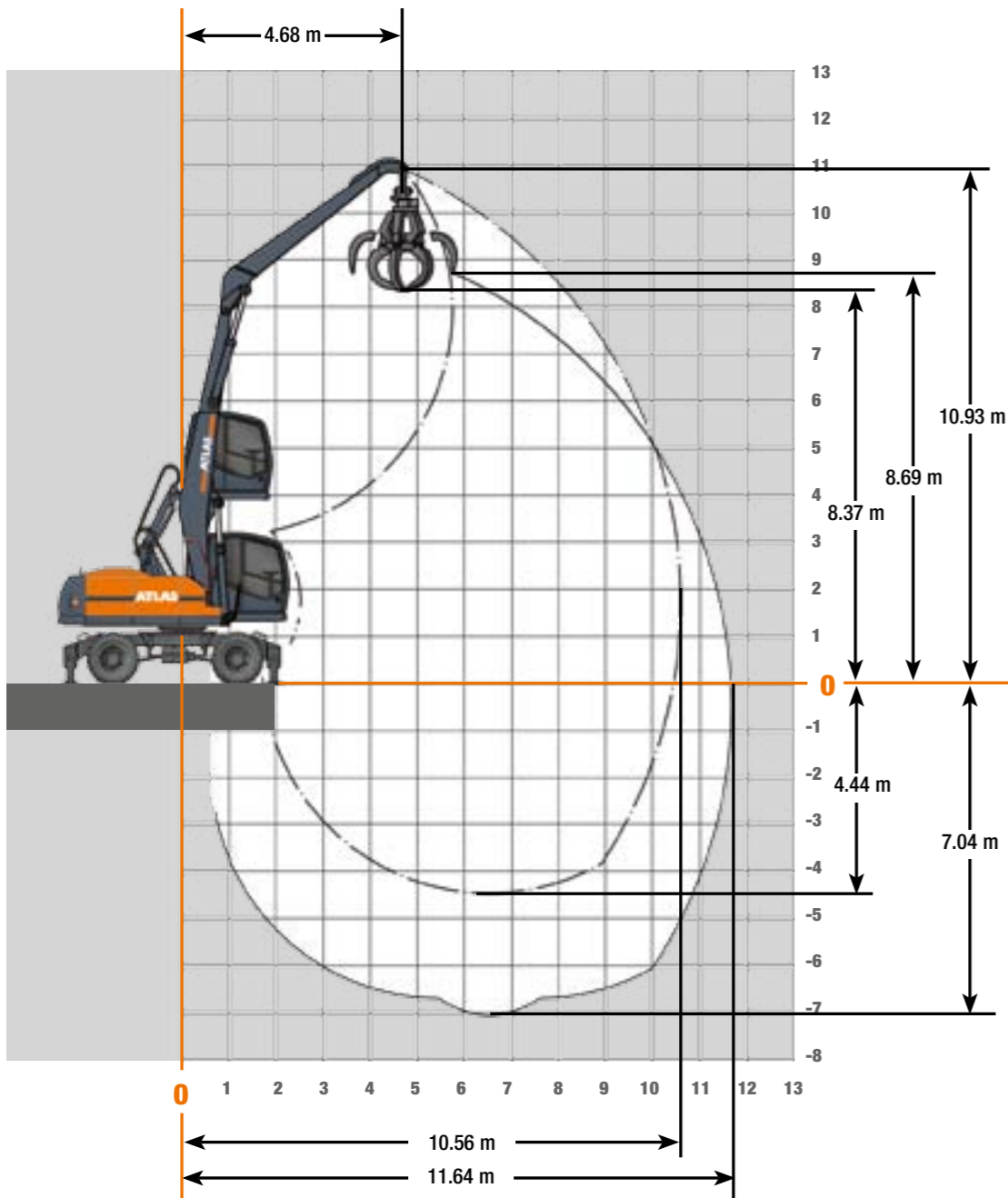
ADDITIONAL EQUIPMENT

<p>Engine:</p> <ul style="list-style-type: none"> Refueling pump Engine speed adjustment via potentiometer Auxiliary heating Cold start assistance 	<p>Equipment:</p> <ul style="list-style-type: none"> Automatically controlled and monitored electric central lubrication system <p>Cab:</p> <ul style="list-style-type: none"> Cab protection guard Beacon light Heated driver's seat Radio/CD/MP3, front AUX in, USB Cab elevation Lift-Cab (to 2.50 m drive up) GPS/GSM telemetric system for monitoring of operating data, consumption, position 	<ul style="list-style-type: none"> Electric cooling box Xenon working lights <p>Undercarriage:</p> <ul style="list-style-type: none"> Solid rubber tyres <p>Other special equipment: see price list</p>
---	---	--

ATTACHMENTS

<ul style="list-style-type: none"> Clamshell grab Orange peel grab 	<ul style="list-style-type: none"> Load hook Load lifting magnet 	<ul style="list-style-type: none"> Log grab
--	--	--

Working ranges Loading boom 6.20 m (C21.5i) and stick 4.80 m (D21.15i)



Lifting capacities Loading boom 6.20 m (C21.5i) and stick 4.80 m (D21.15i)

Lifting Capacities Loading boom 6.20 m (C21.5i) with stick 4.80 m (D21.15i). Max. reach 11.64 m

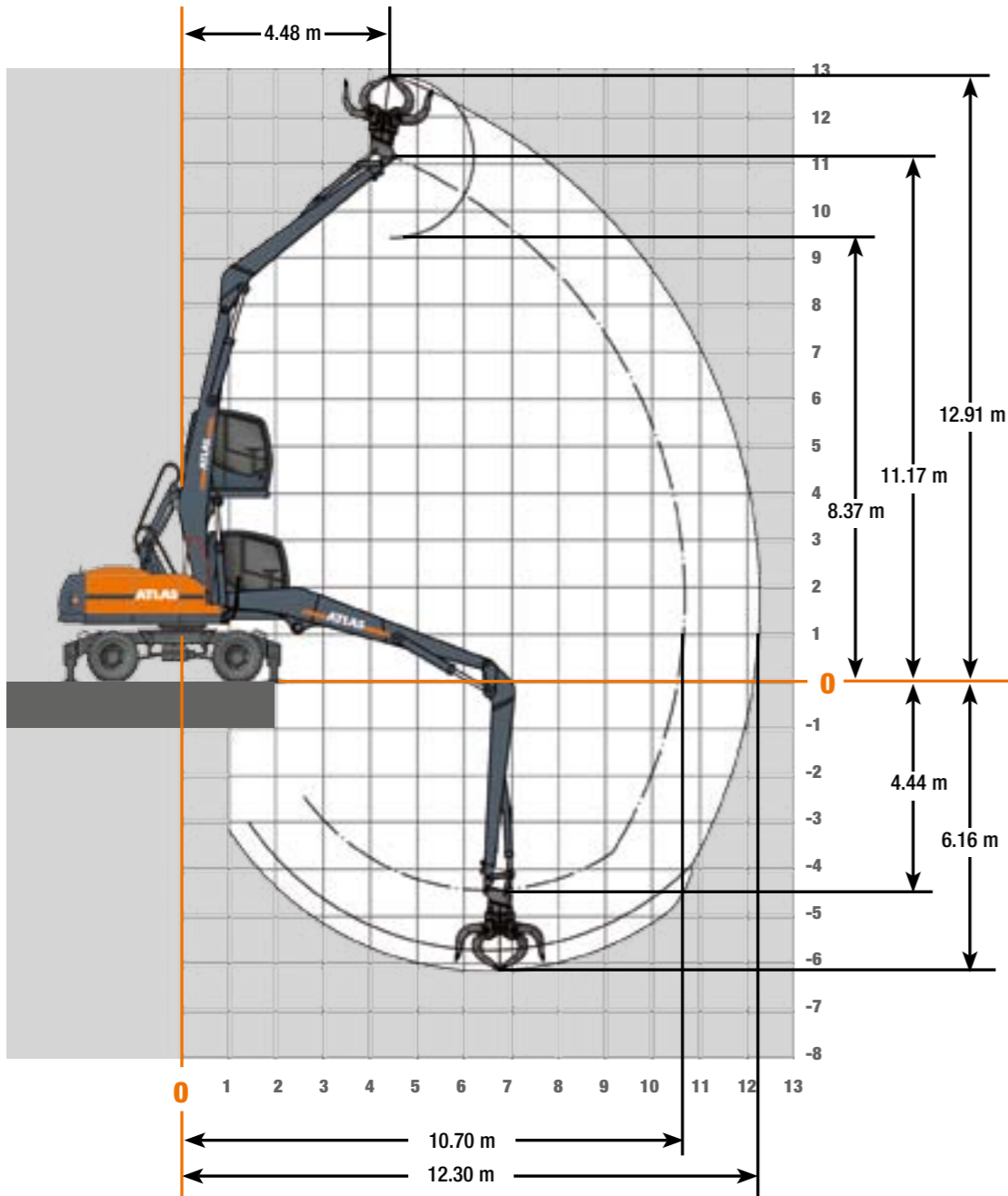
HEIGHT		3.0 m		4.5 m		6.0 m		7.5 m		9.0 m	
		FRONT	LATERAL	FRONT	LATERAL	FRONT	LATERAL	FRONT	LATERAL	FRONT	LATERAL
12.0m	Claws hi / vo raised in the back										
	Claws hi / vo lowered										
	DB / claws lowered										
10.5m	Claws hi / vo raised in the back										
	Claws hi / vo lowered										
	DB / claws lowered										
9.0m	Claws hi / vo raised in the back					3.9*	3.9*	3.1*	3.1*		
	Claws hi / vo lowered					3.9*	3.9*	3.1*	3.1*		
	DB / claws lowered					3.9*	3.9*	3.1*	3.1*		
7.5m	Claws hi / vo raised in the back					4.3*	4.3*	3.8*	3.3		
	Claws hi / vo lowered					4.3*	4.3*	3.8*	3.8*		
	DB / claws lowered					4.3*	4.3*	3.8*	3.8*		
6.0m	Claws hi / vo raised in the back					4.7*	4.6	4.1	3.2		
	Claws hi / vo lowered					4.7*	4.7*	4.4*	4.4*		
	DB / claws lowered					4.7*	4.7*	4.4*	4.4*		
4.5m	Claws hi / vo raised in the back			5.2*	5.2*	5.6*	4.4	4.0	3.1		
	Claws hi / vo lowered			5.2*	5.2*	5.6*	5.6*	5.3*	5.3*		
	DB / claws lowered			5.2*	5.2*	5.6*	5.6*	5.3*	5.1		
3.0m	Claws hi / vo raised in the back	10.6*	10.6*	8.5	6.3	5.4	4.1	3.9	3.0		
	Claws hi / vo lowered	10.6*	10.6*	9.4*	9.4*	7.1*	7.1*	5.6*	5.6*		
	DB / claws lowered	10.6*	10.6*	9.4*	9.4*	7.1*	6.9	5.6*	4.9		
1.5m	Claws hi / vo raised in the back	1.7*	1.7*	7.8	5.7	5.1	3.9	3.8	2.8		
	Claws hi / vo lowered	1.7*	1.7*	10.2*	10.2*	7.3*	7.3*	5.7*	5.7*		
	DB / claws lowered	1.7*	1.7*	10.2*	10.2*	7.3*	6.6	5.6	4.7		
0	Claws hi / vo raised in the back			6.8*	5.3	4.9	3.7	3.6	2.7		
	Claws hi / vo lowered			6.8*	6.8*	7.2*	7.2*	5.5*	5.5*		
	DB / claws lowered			6.8*	6.8*	7.2*	6.4	5.4	4.6		
-1.5m	Claws hi / vo raised in the back			5.6*	5.2	4.8	3.6	3.6	2.7		
	Claws hi / vo lowered			5.6*	5.6*	6.4*	6.4*	4.9*	4.9*		
	DB / claws lowered			5.6*	5.6*	6.4*	6.2	4.9*	4.5		
-3.0m	Claws hi / vo raised in the back			6.0*	5.2	4.8	3.5	3.5	2.7		
	Claws hi / vo lowered			6.0*	6.0*	5.0*	5.0*	3.9*	3.9*		
	DB / claws lowered			6.0*	6.0*	5.0*	5.0*	3.9*	3.9*		
-4.5m	Claws hi / vo raised in the back										
	Claws hi / vo lowered										
	DB / claws lowered										

The specified max. loading capacities in tonnes include a stability of 33% or are calculated at 87% of the hydraulic lifting power, as per ISO10567. These values are applicable at the tip of the arm (without Bucket tipping cylinder, system of redirect levers) with optimum positioning of the corresponding arm system and with the pressure switched on. Weights of attached load carrying accessories (grab, magnet, load hook, etc.) are not included with the load carrying values. * Value limited due to hydraulics.

Attachments



Working ranges Loading boom 6.20 m (C21.5i) and stick 4.80 m (D21.15is)



Lifting capacities Loading boom 6.20 m (C21.5i) and stick 4.80 m (D21.15is)

Lifting Capacities Loading boom 6.20 m (C21.5i) with stick 4.80 m (D21.15i). Max. reach 12.30 m

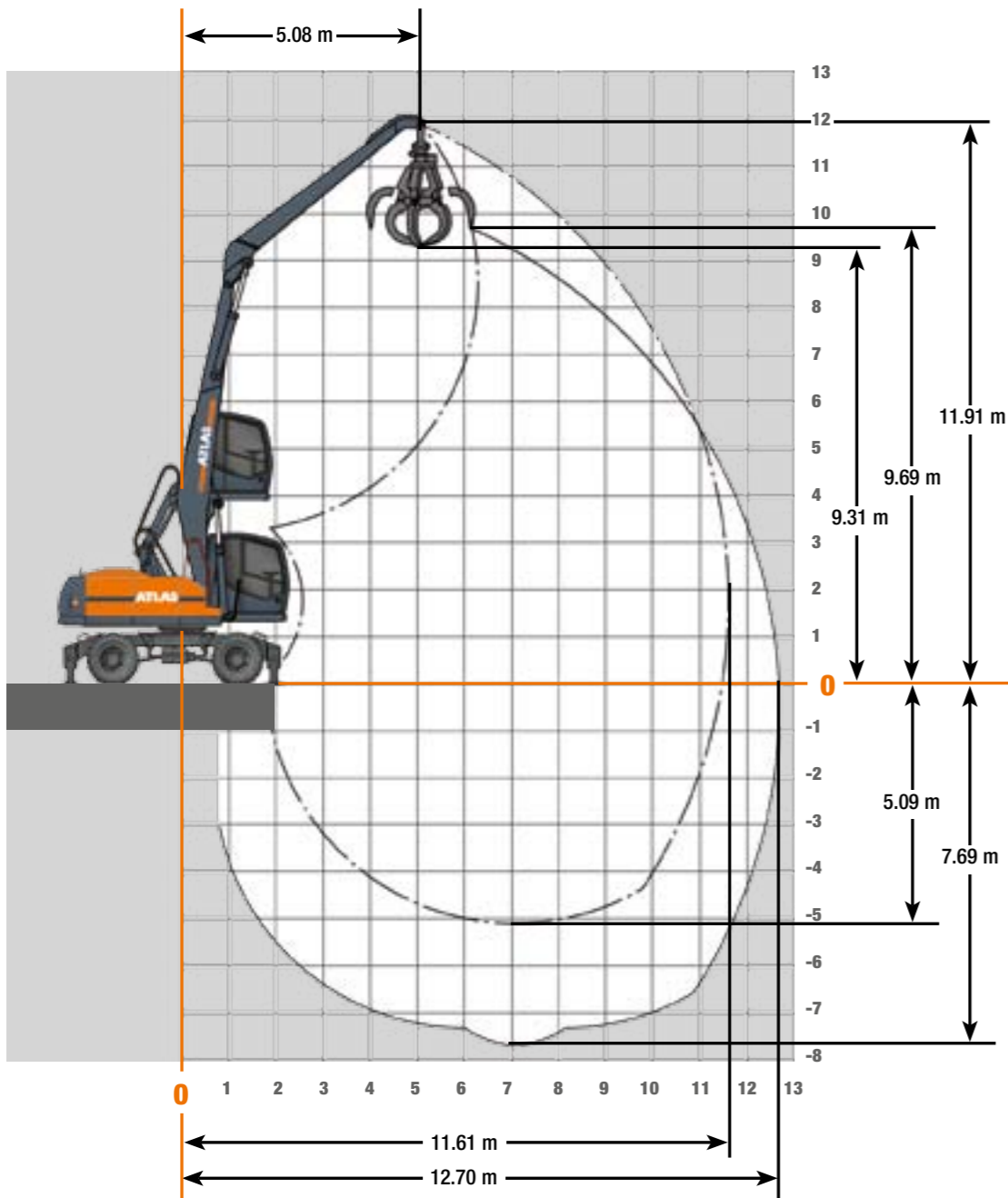
HEIGHT		3.0 m		4.5 m		6.0 m		7.5 m		9.0 m	
		FRONT	LATERAL	FRONT	LATERAL	FRONT	LATERAL	FRONT	LATERAL	FRONT	LATERAL
12.0m	Claws hi / vo raised in the back										
	Claws hi / vo lowered										
	DB / claws lowered										
10.5m	Claws hi / vo raised in the back										
	Claws hi / vo lowered										
	DB / claws lowered										
9.0m	Claws hi / vo raised in the back					4.0*	4.0*	3.1*	3.1*		
	Claws hi / vo lowered					4.0*	4.0*	3.1*	3.1*		
	DB / claws lowered					4.0*	4.0*	3.1*	3.1*		
7.5m	Claws hi / vo raised in the back					4.3*	4.3*	3.9*	3.3		
	Claws hi / vo lowered					4.3*	4.3*	3.9*	3.9*		
	DB / claws lowered					4.3*	4.3*	3.9*	3.9*		
6.0m	Claws hi / vo raised in the back					4.8*	4.6	4.1	3.2		
	Claws hi / vo lowered					4.8*	4.8*	4.5*	4.5*		
	DB / claws lowered					4.8*	4.8*	4.5*	4.5*		
4.5m	Claws hi / vo raised in the back			5.2*	5.2*	5.7*	4.4	4.0	3.1		
	Claws hi / vo lowered			5.2*	5.2*	5.7*	5.7*	5.3*	5.3*		
	DB / claws lowered			5.2*	5.2*	5.7*	5.7*	5.3*	5.3*		
3.0m	Claws hi / vo raised in the back	10.7*	10.7*	8.5	6.3	5.5	4.1	3.9	3.0		
	Claws hi / vo lowered	10.7*	10.7*	9.4*	9.4*	7.1*	7.1*	5.7*	5.7*		
	DB / claws lowered	10.7*	10.7*	9.4*	9.4*	7.1*	6.9	5.7*	4.9		
1.5m	Claws hi / vo raised in the back	1.8*	1.8*	7.9	5.7	5.2	3.9	3.8	2.9		
	Claws hi / vo lowered	1.8*	1.8*	10.2*	10.2*	7.4*	7.4*	5.7*	5.7*		
	DB / claws lowered	1.8*	1.8*	10.2*	10.2*	7.4*	6.6	5.6	4.8		
0	Claws hi / vo raised in the back			6.8*	5.4	5.0	3.7	3.6	2.8		
	Claws hi / vo lowered			6.8*	6.8*	7.2*	7.2*	5.5*	5.5*		
	DB / claws lowered			6.8*	6.8*	7.2*	6.4	5.5	4.6		
-1.5m	Claws hi / vo raised in the back			5.6*	5.2	4.8	3.6	3.6	2.7		
	Claws hi / vo lowered			5.6*	5.6*	6.4*	6.4*	5.0*	5.0*		
	DB / claws lowered			5.6*	5.6*	6.4*	6.3	5.0*	4.6		
-3.0m	Claws hi / vo raised in the back			6.1*	5.2	4.8	3.6	3.6	2.7		
	Claws hi / vo lowered			6.1*	6.1*	5.1*	5.1*	3.9*	3.9*		
	DB / claws lowered			6.1*	6.1*	5.1*	5.1*	3.9*	3.9*		
-4.5m	Claws hi / vo raised in the back										
	Claws hi / vo lowered										
	DB / claws lowered										

The specified max. loading capacities in tonnes include a stability of 33% or are calculated at 87% of the hydraulic lifting power, as per ISO10567. These values are applicable at the tip of the arm (without Bucket tipping cylinder, system of redirect levers) with optimum positioning of the corresponding arm system and with the pressure switched on. Weights of attached load carrying accessories (grab, magnet, load hook, etc.) are not included with the load carrying values. * Value limited due to hydraulics.

Attachments



Working ranges Loading boom 6.80 m (C21.6i) and stick 5.30 m (D21.16i)



Lifting capacities Loading boom 6.80 m (C21.6i) and stick 5.30 m (D21.16i)

Lifting Capacities Loading Boom 6.80 m (C21.6i) with stick 5.30 m (D21.16i). Max reach 12.70 m

HEIGHT		3.0 m		4.5 m		6.0 m		7.5 m		9.0 m	
		FRONT	LATERAL	FRONT	LATERAL	FRONT	LATERAL	FRONT	LATERAL	FRONT	LATERAL
12.0m	Claws hi / vo raised in the back										
	Claws hi / vo lowered										
	DB / claws lowered										
10.5m	Claws hi / vo raised in the back					3.6*	3.6*	2.9*	2.9*		
	Claws hi / vo lowered					3.6*	3.6*	2.9*	2.9*		
	DB / claws lowered					3.6*	3.6*	2.9*	2.9*		
9.0m	Claws hi / vo raised in the back							3.5*	3.3	2.7*	2.4
	Claws hi / vo lowered							3.5*	3.5*	2.7*	2.7*
	DB / claws lowered							3.5*	3.5*	2.7*	2.7*
7.5m	Claws hi / vo raised in the back							3.8*	3.3	3.1	2.4
	Claws hi / vo lowered							3.8*	3.8*	3.3*	3.3*
	DB / claws lowered							3.8*	3.8*	3.3*	3.3*
6.0m	Claws hi / vo raised in the back					4.2*	4.2*	4.2	3.2	3.1	2.4
	Claws hi / vo lowered					4.2*	4.2*	4.3*	4.3*	3.9*	3.9*
	DB / claws lowered					4.2*	4.2*	4.3*	4.3*	3.9*	3.9*
4.5m	Claws hi / vo raised in the back			4.3*	4.3*	5.0*	4.4	4.0	3.1	3.0	2.3
	Claws hi / vo lowered			4.3*	4.3*	5.0*	5.0*	5.1*	5.1*	4.4*	4.4*
	DB / claws lowered			4.3*	4.3*	5.0*	5.0*	5.1*	5.1	4.4	3.8
3.0m	Claws hi / vo raised in the back	10.4*	10.4*	8.4	6.2	5.4	4.1	3.9	2.9	2.9	2.2
	Claws hi / vo lowered	10.4*	10.4*	8.5*	8.5*	6.8*	6.8*	5.5*	5.5*	4.5	4.5*
	DB / claws lowered	10.4*	10.4*	8.5*	8.5*	6.8*	6.8*	5.5*	5.5*	4.9	3.7
1.5m	Claws hi / vo raised in the back			7.7	5.5	5.0	3.8	3.7	2.8	2.8	2.1
	Claws hi / vo lowered			9.9*	9.9*	7.1*	7.1*	5.6*	5.6*	4.4	4.4
	DB / claws lowered			9.9*	9.9*	7.1*	6.5	5.5	4.7	4.2	3.6
0	Claws hi / vo raised in the back			4.1*	4.1*	4.8	3.5	3.5	2.6	2.7	2.0
	Claws hi / vo lowered			4.1*	4.1*	7.0*	7.0*	5.4*	5.4*	4.3	4.3*
	DB / claws lowered			4.1*	4.1*	7.0*	6.2	5.3	4.5	4.1	3.5
-1.5m	Claws hi / vo raised in the back			3.7*	3.7*	4.6	3.4	3.4	2.5	2.7	2.0
	Claws hi / vo lowered			3.7*	3.7*	6.4*	6.4*	5.0*	5.0*	3.9*	3.9*
	DB / claws lowered			3.7*	3.7*	6.4*	6.1	5.0*	4.4	3.9*	3.4
-3.0m	Claws hi / vo raised in the back			4.2*	4.2*	4.6	3.3	3.4	2.5	2.7	2.0
	Claws hi / vo lowered			4.2*	4.2*	5.2*	5.2*	4.1*	4.1*	3.2*	3.2*
	DB / claws lowered			4.2*	4.2*	5.2*	5.2*	4.1*	4.1*	3.2*	3.2*
-4.5m	Claws hi / vo raised in the back					3.6*	3.4	2.9*	2.5	2.0*	2.0
	Claws hi / vo lowered					3.6*	3.6*	2.9*	2.9*	2.0*	2.0*
	DB / claws lowered					3.6*	3.6*	2.9*	2.9*	2.0*	2.0*

The specified max. loading capacities in tonnes include a stability of 33% or are calculated at 87% of the hydraulic lifting power, as per ISO10567. These values are applicable at the tip of the arm (without Bucket tipping cylinder, system of redirect levers) with optimum positioning of the corresponding arm system and with the pressure switched on. Weights of attached load carrying accessories (grab, magnet, load hook, etc.) are not included with the load carrying values. * Value limited due to hydraulics.

Attachments



Load hook

Log grab

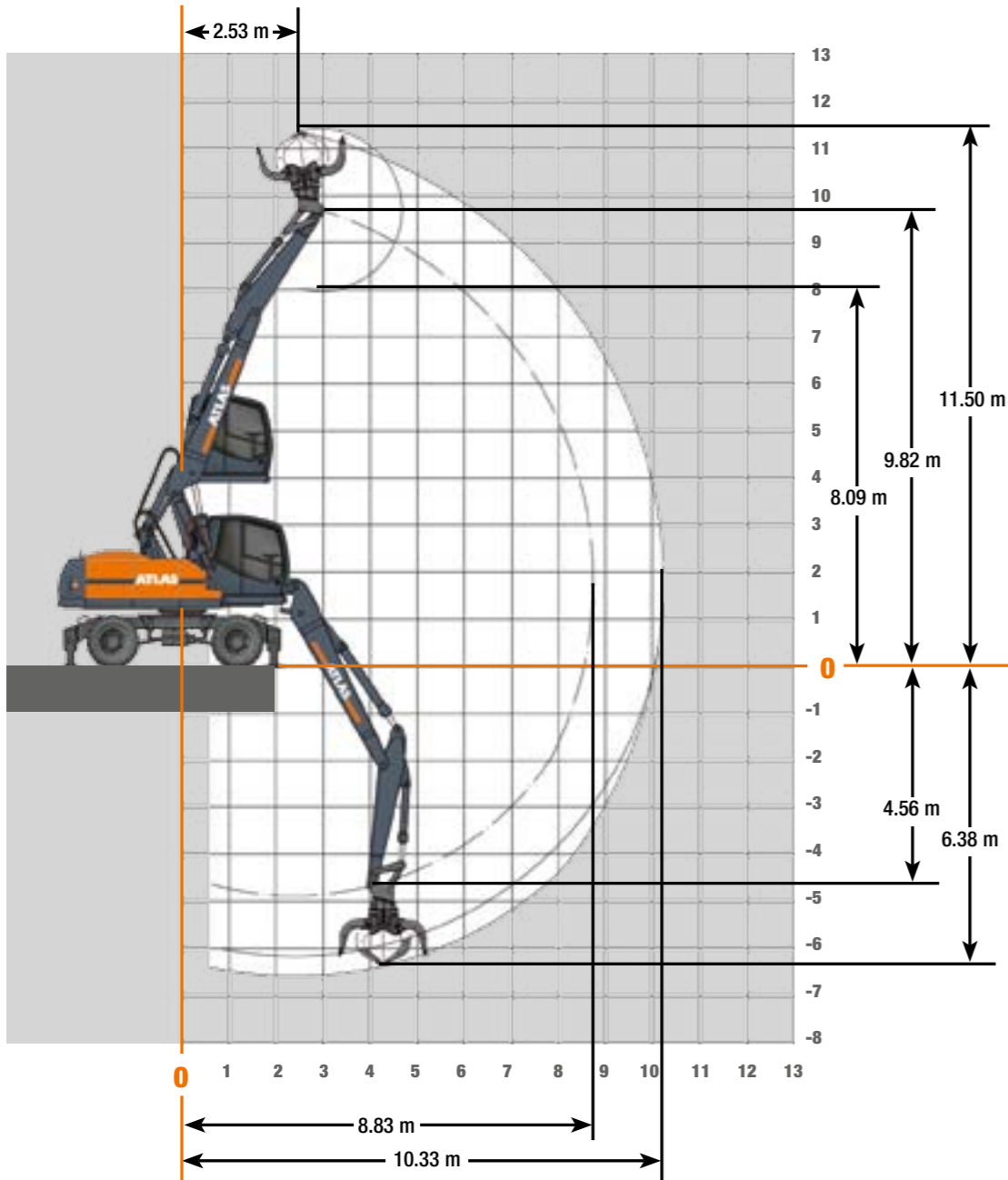
Clamshell grab

Orange peel grab

Load lifting magnet

Working ranges

Adjustable Boom, Base arm 1.95 m (C21.41) and boom 4.23 m (C21.46)
+ stick 2.65 m (D21.33)



Lifting capacities

Adjustable Boom, Base arm 1.95 m (C21.41) and boom 4.23 m (C21.46)
+ stick 2.65 m (D21.33) Max. reach 10.33 m

Lifting capacities Base arm 1,95 m (C21.41) and boom 4,23 m (C21.46) with stick 2,65 m (D21.33). Max reach 10,33 m

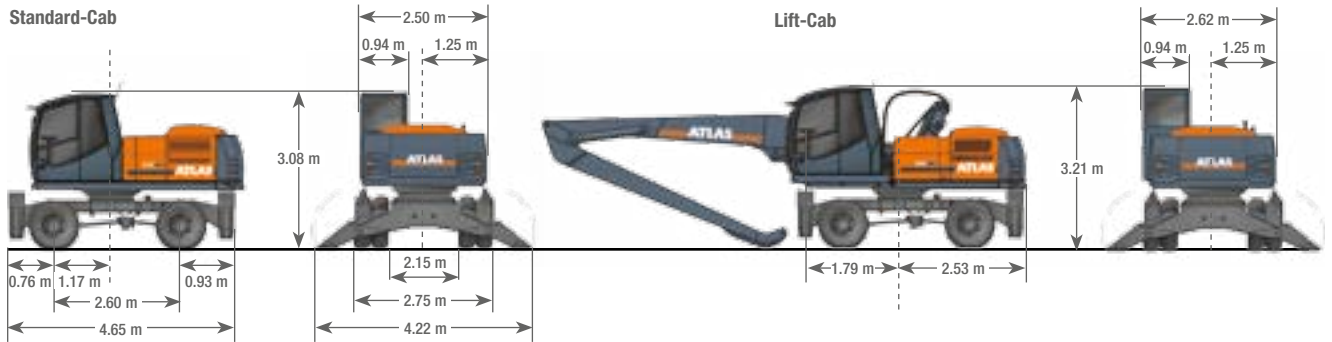
HEIGHT		3.0 m		4.5 m		6.0 m		7.5 m		9.0 m	
		FRONT	LATERAL	FRONT	LATERAL	FRONT	LATERAL	FRONT	LATERAL	FRONT	LATERAL
12.0m	Claws hi / vo raised in the back										
	Claws hi / vo lowered										
	DB / claws lowered										
10.5m	Claws hi / vo raised in the back										
	Claws hi / vo lowered										
	DB / claws lowered										
9.0m	Claws hi / vo raised in the back										
	Claws hi / vo lowered										
	DB / claws lowered										
7.5m	Claws hi / vo raised in the back			5.7*	5.7*						
	Claws hi / vo lowered			5.7*	5.7*						
	DB / claws lowered			5.7*	5.7*						
6.0m	Claws hi / vo raised in the back			5.5*	5.5*	5.4*	4.5				
	Claws hi / vo lowered			5.5*	5.5*	5.4*	5.4*				
	DB / claws lowered			5.5*	5.5*	5.4*	5.4*				
4.5m	Claws hi / vo raised in the back	6.8*	6.8*	6.4*	6.4*	5.7*	4.5	3.1*	3.1*		
	Claws hi / vo lowered	6.8*	6.8*	6.4*	6.4*	5.7*	5.7*	3.1*	3.1*		
	DB / claws lowered	6.8*	6.8*	6.4*	6.4*	5.7*	5.7*	3.1*	3.1*		
3.0m	Claws hi / vo raised in the back	10.1*	10.1*	8.0*	6.6	5.7	4.5	4.0	3.1		
	Claws hi / vo lowered	10.1*	10.1*	8.0*	8.0*	6.3*	6.3*	5.5*	5.5*		
	DB / claws lowered	10.1*	10.1*	8.0*	8.0*	6.3*	6.3*	5.5*	5.1		
1.5m	Claws hi / vo raised in the back	12.9*	11.4*	8.4	6.5	5.6*	4.5	4.0	3.1		
	Claws hi / vo lowered	12.9*	12.9*	9.6*	9.6*	7.0*	7.0*	5.8*	5.8*		
	DB / claws lowered	12.9*	12.9*	9.6*	9.6*	7.0*	6.9	5.8*	5.0		
0	Claws hi / vo raised in the back	15.2*	11.4	8.4	6.5*	5.6	4.3	3.9	3.0		
	Claws hi / vo lowered	15.2*	15.2*	10.3*	10.3*	7.4*	7.4*	5.8*	5.8*		
	DB / claws lowered	15.2*	15.2*	10.3*	10.3*	7.4*	6.9	5.7	4.9		
-1.5m	Claws hi / vo raised in the back	16.1*	11.3	8.5	6.3	5.4	4.1				
	Claws hi / vo lowered	16.8*	16.8*	10.4*	10.4*	7.6*	7.6*				
	DB / claws lowered	16.8*	16.8*	10.4*	10.4*	7.6*	6.8				
-3.0m	Claws hi / vo raised in the back	16.6	11.1	8.2	6.0	5.3	4.0				
	Claws hi / vo lowered	17.4*	17.4*	10.6*	10.6*	6.4*	6.4*				
	DB / claws lowered	17.4*	17.4*	10.6*	10.6*	6.4*	6.4*				
-4.5m	Claws hi / vo raised in the back										
	Claws hi / vo lowered										
	DB / claws lowered										

The specified max. loading capacities in tonnes include a stability of 33% or are calculated at 87% of the hydraulic lifting power, as per ISO10567. These values are applicable at the tip of the arm (without Bucket tipping cylinder, system of redirect levers) with optimum positioning of the corresponding arm system and with the pressure switched on. Weights of attached load carrying accessories (grab, magnet, load hook, etc.) are not included with the load carrying values. * Value limited due to hydraulics.

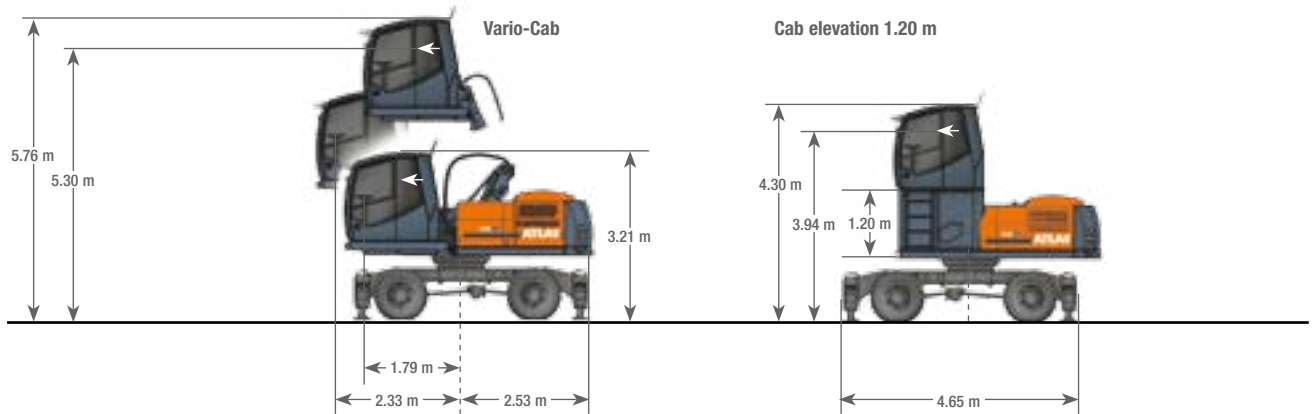
Attachments



Dimensions



(A) TRANSPORT HEIGHT		(B) TRANSPORT LENGTH	
Loading boom 6.20 m with stick 4.80 m	3.21 m	Loading boom 6.20 m with stick 4.80 m	9.36 m
Loading boom 6.80 m with stick 5.30 m	3.21 m	Loading boom 6.80 m with stick 5.30 m	9.93 m
Adjustable Boom 1.95 m 4.23 m with stick 2.65 m	3.21 m	Adjustable Boom 1.95 m 4.23 m with stick 2.65 m	8.95 m



Further variations of cabs on request

www.atlasgmbh.com

ATLAS Maschinen GmbH
 EXCAVATORS
 Atlasstrasse 6
 27777 Ganderkesee, Germany
 T: +49 (0) 4222 954 0
 F: +49 (0) 4222 954 343
 info@atlasgmbh.com

230MH-EN (1) Effective date: August 2010. Product specifications and prices are subject to change without notice or obligation. The photographs and/or drawings in this document are for illustrative purposes only. Refer to the appropriate Operator's Manual for instructions on the proper use of this equipment. Failure to follow the appropriate Operator's Manual when using our equipment or to otherwise act irresponsibly may result in serious injury or death. The only warranty applicable to our equipment is the standard written warranty applicable to the particular product and sale and Atlas makes no other warranty, express or implied. The only warranty applicable to our equipment is the standard written warranty applicable to the particular product and sale and Atlas makes no other warranty, express or implied. Products and services listed may be trademarks, service marks or trade-names of Atlas Maschinen GmbH and/or its subsidiaries. All rights are reserved. Atlas® is a registered trademark of Atlas Maschinen GmbH. Copyright © 2010 Atlas Maschinen GmbH.