

AK206.4E

ATLAS

MADE IN GERMANY. SINCE 1919.



PAYLOAD

MAX. 7.5 TONS

REACH

20.24 M

OPERATING PRESSURE

310 BAR

LIFTING CAPACITY

206 KNM | 20.6 MT

ATLAS. FOR HIGHER EFFICIENCY.

Experience the culmination of over 100 years of expertise: a perfected design, meticulous attention to detail, and engineering built to last. As a highly efficient and competent manufacturer of premium construction machinery in Germany, ATLAS develops loader cranes, excavators, and material handlers – **all custom-built to exacting specifications**. ATLAS is the machine of choice for the toughest applications and for those who demand uncompromising quality.

**ATLAS POWER OF INNOVATION.
MADE IN GERMANY.**

“For more than a century, our highly motivated employees have devoted themselves to the design and manufacture of tailor-made excavators and cranes that serve to increase productivity while simultaneously lowering your total cost of ownership. The proof of our dedication is reflected in working tenaciously every day in order to create innovative solutions for both old and new challenges. This tradition, which extends over generations, demonstrates our continuous commitment to developing high-quality machines that meet the ever-changing requirements and challenges of our time.”



Brahim Stitou, CEO



THAT'S WHAT AN ATLAS IS ALL ABOUT.



SERVICE-FRIENDLY

Intelligent, efficient, reliable, and timesaving: Our automatic central lubrication system ensures that the cranes components are lubricated at regular intervals.

BRIGHTNESS

LED spotlights allow large-surface illumination of the work area. minimize the risk of accidents and ensure precise operation in dark areas of the construction site and seasons.

INTERNAL HOSE ROUTINGS (COLUMN)

Available in different sizes and meeting the highest quality standards, our internal hose routings protect your hydraulic hoses, which are routed inside the column, against damage and environmental influences.

AUTOMATIC FOLDING

The push of a button on the radio remote control brings the boom efficiently and safely to its compact parking position.

EXTENSION SYSTEM

The extension system with only minimal backlash and improved sliding characteristics ensures stable and precise crane operation.

ATLAS ATTACHMENTS

By offering a wide range of attachments, we provide our customers with high flexibility and individually tailored solutions.

QUICK CHANGE

ATLAS quick-change systems allow for quick and simple changes of various hydraulic and mechanical attachments at the loader crane without the need for manual work at the machine or the rotator.

OPTIMUM GUIDANCE

The self-folding function prevents crushing and accidental damage, creates a clear and tidy work area, and improves the mobility of your ATLAS loader crane.

SECURE

ATLAS optional square-profile stabilizers ensure stability of the crane during operation. Hydraulic extension and retraction of the supports allow for compensation of height differences regardless of terrain.

OPERATING STATUS AT A GLANCE

The display of the crane control panel clearly indicates the current operation status.

FULL LOAD OUTPUT IN CONTINUOUS OPERATION

The optional oil cooler ensures that the oil has the optimum temperature and allows long continuous operation, even during the most challenging jobs.

SOPHISTICATED AND YET COMPACT.



// Operating Status Readout

Provides the operator with real-time key data regarding the current operating status of the crane for safe and efficient use.



// LED Spotlights

When working in poor light conditions or at night, the working area is brightly and clearly lit. Spotlights can be mounted and controlled individually.



// Central Lubrication System

The lubrication process is service-friendly, time-saving, and performed by the system at regular intervals, either semi or fully automated.



// Oil cooler

The oil cooler with thermal switch ensures long hours of efficient operation and reliable operation, even under extreme climate conditions.



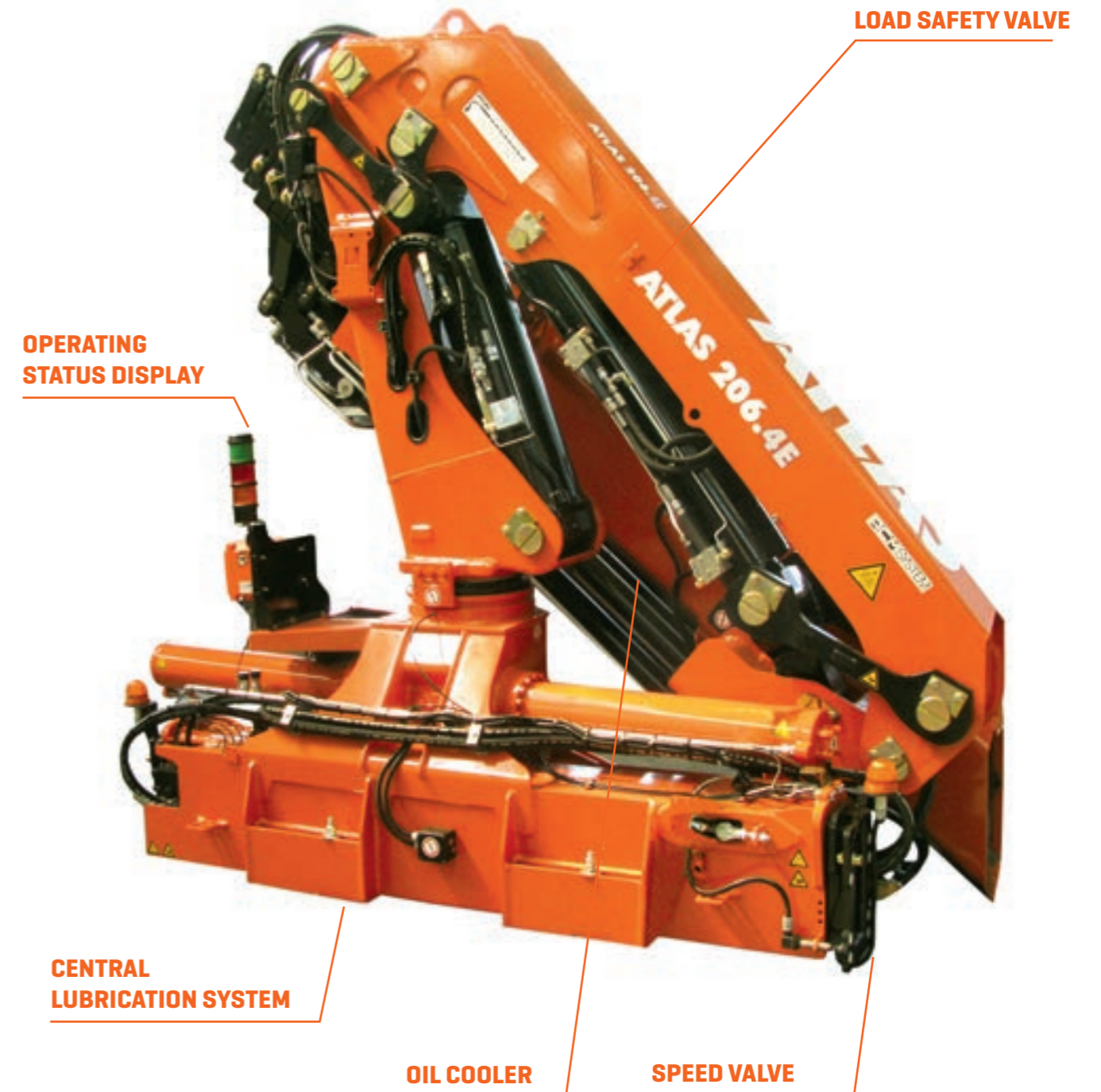
// Load Safety Valve

Prevents uncontrolled lowering of the load and ensures that the load is kept in position, even in the event of a hydraulic system failure.



// Speed Valve

Return oil recovery when extending the telescopic booms increases the speed of telescopic movements.



CONTROL SYSTEM FOR MAXIMUM SAFETY.

**DISCOVER THE VERSATILITY OF OUR CRANES.
WITH INDIVIDUAL CONTROL, OUR CRANES ARE EASY TO NAVIGATE.**

ATLAS crane systems are powerful and versatile. Their sturdy construction features impressive load-bearing capacities, extraordinary reliability and safety standards. The wide range of precise lifting applications – from small-scale operations all the way to high-profile major projects – has only one goal: to efficiently and reliably fulfil your needs and ensure that your job gets completed and completed safely.

All ATLAS cranes meet the latest certification standards, like EN 12999:2020 for crane safety. With special equipment, the requirements of EN 280, which applies specifically for workman baskets, are also adhered to. Manufacturing is done in Germany in compliance with the internationally accepted quality guideline DIN ISO 9001.

Our experience and our quality ensure maximum operational safety. The long service life and efficiency of our cranes exceeds even the highest expectations of the industries our cranes operate in.

With our sophisticated radio remote controls, work processes are extremely easy. The systems ensure precise control and, at the same time, maximum flexibility and mobility. Pick and choose from a wide range of available models and the controls that suits you best. We are happy to offer you an individual solution that meets your specific requirements.

With ATLAS, everything runs smoothly! Our radio remote controls ensure the sensitive handling required for precise and safe operation.



// Linear control
Including innovative ergonomic seat.



// Standard four-way control
Featuring state-of-the-art ergonomic seat.



// Hydraulic pilot control
Including ergonomically designed comfort seat.



// Control console
for better view and mobility.

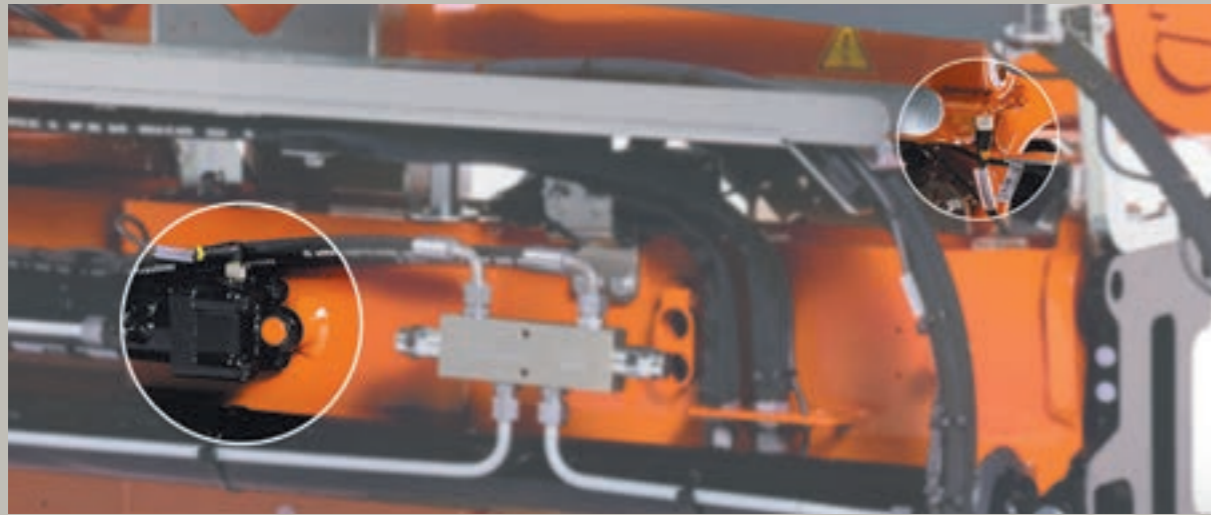


// HBC four-way control lever with display // HBC four-way control lever with knob // HBC linear control lever (more on request)



// Scanreco four-way control lever with display // Scanreco four-way control lever // Scanreco linear control lever with display

STABILITY CONTROL



// Rod-style Sensors

Enhance the stability of your cranes with the innovative support solutions from ATLAS! Our versatile support systems are precisely aligned to your specific needs and offer maximum reliability in any working situation. Whether on uneven terrain or under challenging support conditions, our solutions ensure that your crane has a safe and secure platform on which to operate, even under the most challenging conditions.

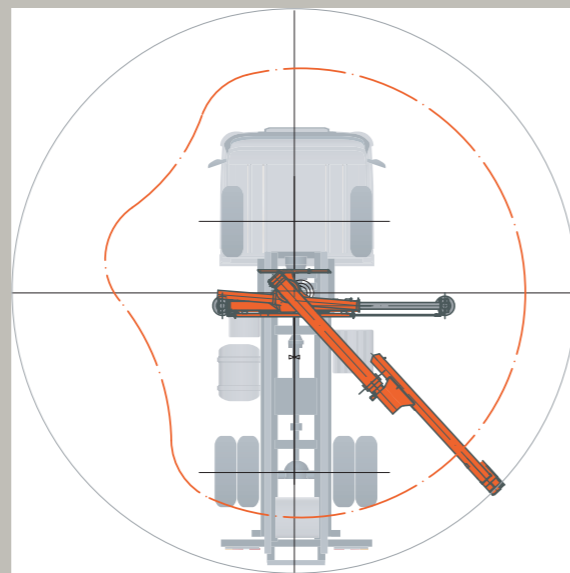
// EAW: Standard features in compliance with EN 12999:2020

The EAW equipment from ATLAS meets the highest safety and performance requirements in compliance with the EN 12999:2020 legislation.

- Integrated safety monitoring ensures that the support control monitoring is directly integrated into the safety circuit of the crane.
- The working pressure is continuously optimized based on the results of the stability testing.

// Reliable Crane Operation

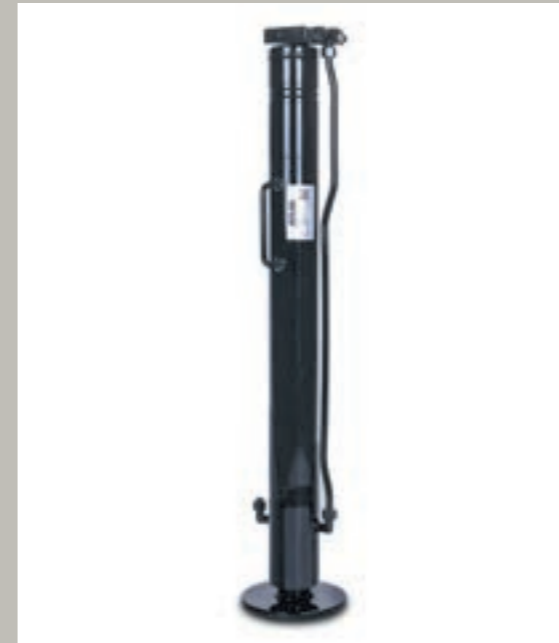
Even if the supports are not fully extended and lack ground contact, the operation remains safe and secure. Choosing ATLAS means opting for advanced technology that perfectly combines safety and efficiency. Our support solutions are designed for your maximum safety and efficiency.



// EAW 4.4 h (variable system)

On the left side of the graph: supported.
On the right side of the graph: extended and supported.
(other situations possible)

SUPPORT OPTIONS



// Cylinder Support

Our detachable support for cranes offers a practical and quick solution.



// Square-profile Support

Detachable square-profile supports offer high stability.



// Automatically swiveling Support

Controlled by a rack and pinion system for effortless and precise swiveling.



// Supports With Pneumatic Spring

Fitted with a pneumatic spring, they are easier to elevate.

GOOD TOOL. EFFICIENT JOB.



Scan QR code
to access the
attachment tools:



// Brick stack grapple // Brick stack grapple // Auger



// Workman basket // Drop-bottom box dumpers // Rope winch



// Head piece for grab // Orange peel grab // Grab // HPX Grab

EASY-TO-ACCESS SERVICE POINTS



// Easy Service

Our loader cranes are designed to reduce both service time and costs.

All service points, like lubrication, measurement points, filter replacements or hydraulic services, are **easy to access**.

// Central Lubricating Points

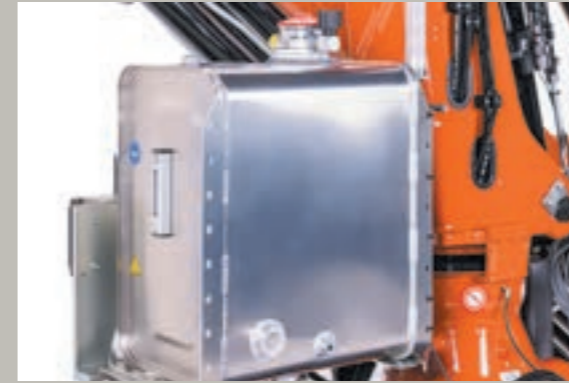
For easy manual lubrication of the loader crane.

// Lubrication System

The lubrication system supplies several lubrication points of the loader crane. From a central tank, the lubricant is automatically dispensed to the lubrication points.



OIL TANK



// Oil Tank

Ensures that the hydraulic system of your ATLAS loader crane is reliably supplied with oil, ensuring trouble-free operation.

WELL PROTECTED



// Internal Hose Routing

Protection against damage and wear due to internal hose routing. Other advantages include a clean design, improved safety, easy service, and increased mobility for precise operation.

SPULEN LEICHTGEMACHT



// Hose Reels

Hose reels increase safety, make handling easier, and by keeping the working environment tidy, they improve work processes. The hoses also have a longer service life.

SCHNELLER WECHSEL



// Quick-change systems

Attachments can be changed quickly and with little effort, reducing downtime. The secure coupling minimizes the risk of accidents. ATLAS quick-change systems allow for flexibility and various applications, while also extending the service life of the components.

WE KEEP YOUR ATLAS RUNNING.

**24-HOUR SPARE PARTS SERVICE FOR IMPROVED READINESS.
ATLAS SPARE PARTS GMBH DELIVERS ACROSS EUROPE AND AROUND
THE WORLD. ALWAYS GENUINE PARTS. ALWAYS FAST.**

Regular checks and servicing of your machines prevents breakdowns and downtime. Exchange and replacement with ATLAS genuine parts ensure quality that pays off for our customers. Nevertheless, if you do encounter a problem, ATLAS Spare Parts will provide you with genuine parts in a short time.

ATLAS Spare Parts holds more than 50,000 parts in stock at their distribution center in Ganderkesee to ensure that your machines are ready for use again very quickly.

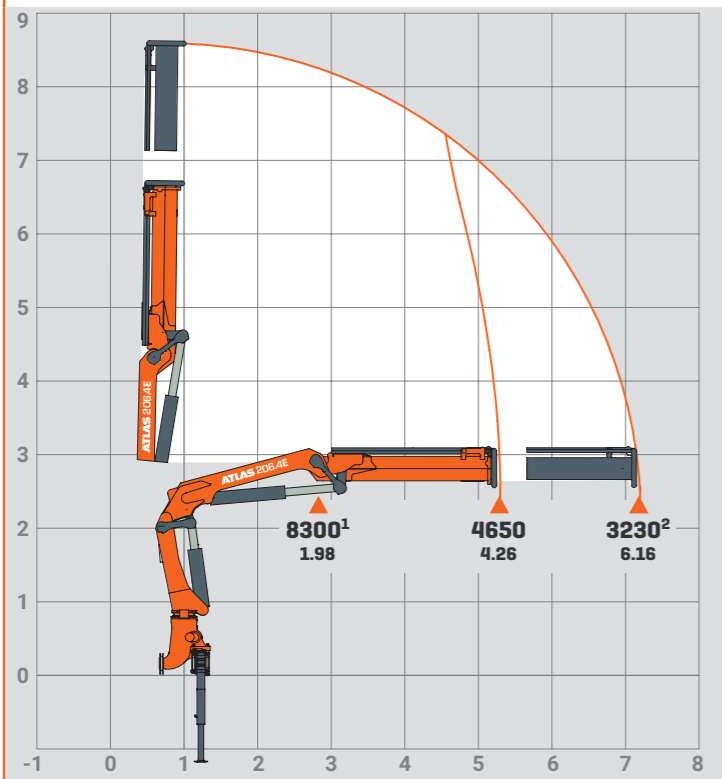
For customers ordering a part in Europe, it is usually delivered within 24 hours.

Whether it concerns parts for brand new models or machines that have been in operation for more than 40 years and beyond, our experienced teams ship quickly and worldwide. More than 200 service centers and 80 dealers provide comprehensive support – directly at your location or at the construction site. You can rely on the quality, expertise, and availability that only ATLAS Spare Parts can offer.

Scan QR code
to get to
Spare Parts Service:



206.4E A1 | BOOM POSITION 15°

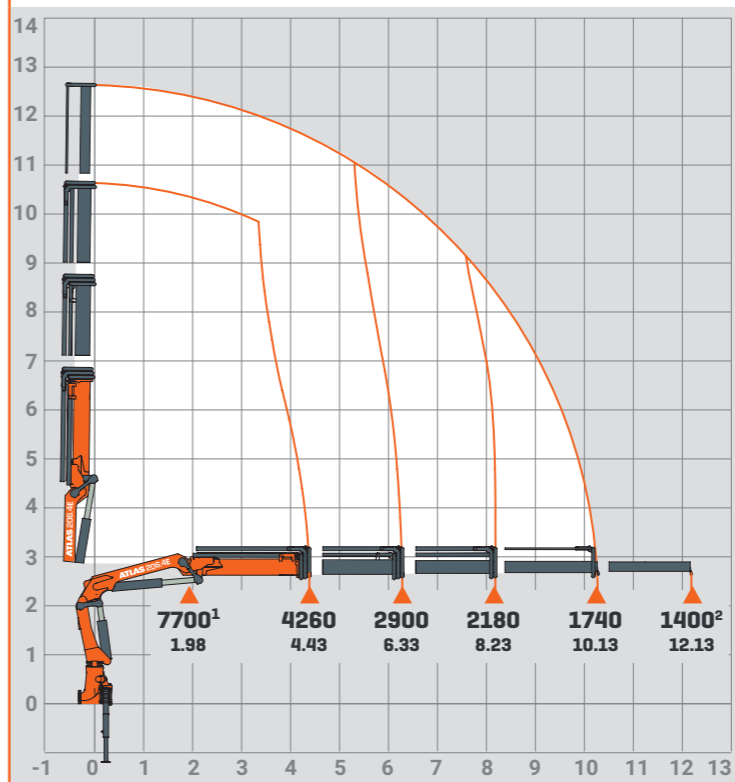


LOAD TABLE

	Payload kg	meter
A¹	8300 ¹	1.98 ¹
B	4650	4.26
C²	3230	6.16 ²

¹ additional load hook point at jib
² manual extension (optional)

206.4E A3 | BOOM POSITION 15°

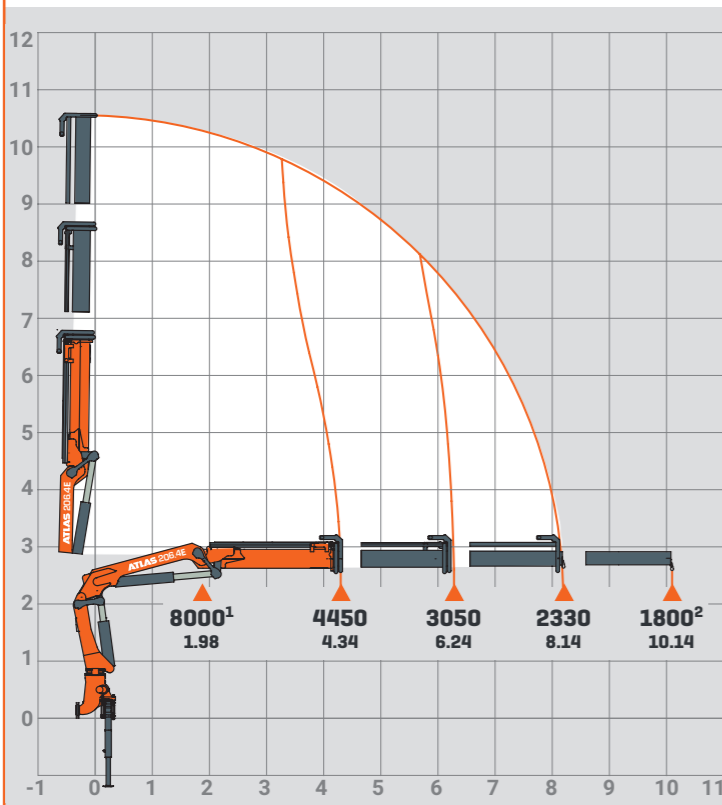


LOAD TABLE

	Payload kg	meter
A¹	7700 ¹	1.98 ¹
B	4260	4.43
C	2900	6.33
D	2180	8.23
E	1740	10.13
F²	1400 ²	12.13 ²

¹ additional load hook point at jib
² manual extension (optional)

206.4E A2 | BOOM POSITION 15°

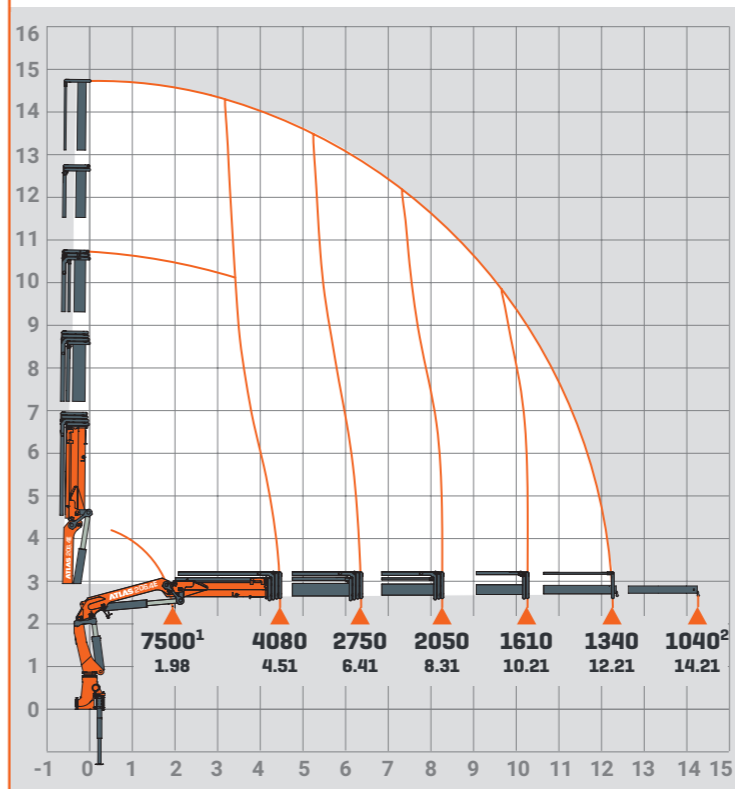


LOAD TABLE

	Payload kg	meter
A	8000 ¹	1.98 ¹
B	4450	4.34
C	3050	6.26
D	2330	8.14
E²	1800 ²	10.14 ²

¹ additional load hook point at jib
² manual extension (optional)

206.4E A4 | BOOM POSITION 15°

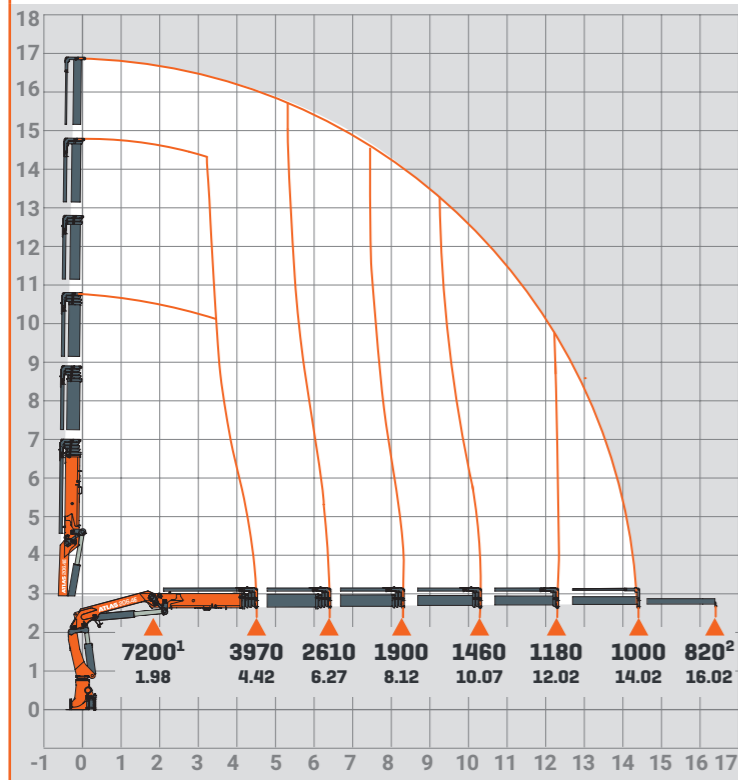


LOAD TABLE

	Payload kg	meter
A¹	7500 ¹	1.98 ¹
B	4080	4.51
C	2750	6.41
D	2050	8.31
E	1610	10.21
F	1340	12.21
G²	1040 ²	14.21 ²

¹ additional load hook point at jib
² manual extension (optional)

206.4E A5 | BOOM POSITION 15°



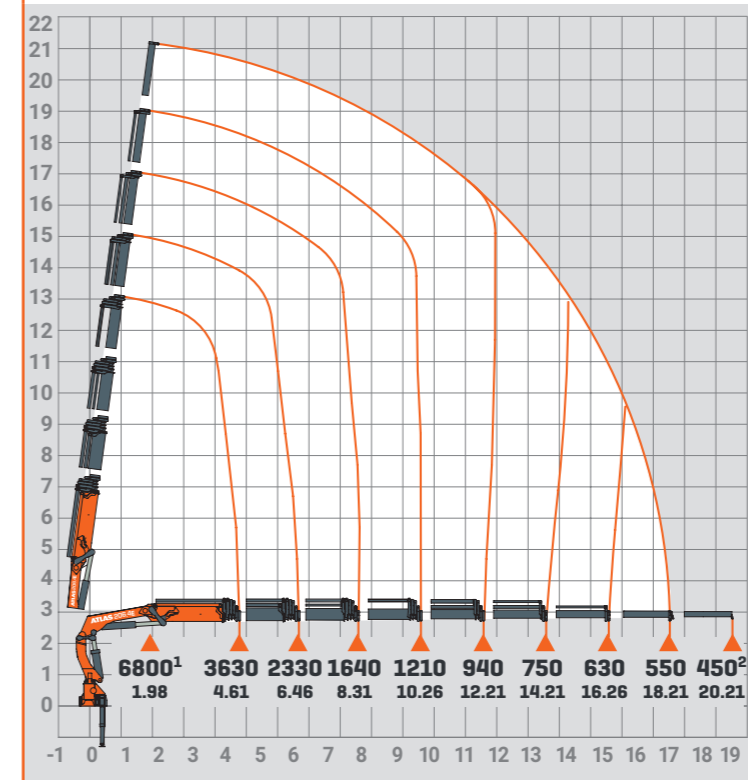
LOAD TABLE

	Payload kg	meter
A¹	7200 ¹	1.98 ¹
B	3970	4.42
C	2610	6.27
D	1900	8.12
E	1460	10.07
F	1180	12.02
G	1000	14.02
H²	820 ²	16.02 ²

¹ additional load hook point at jib

² manual extension (optional)

206.4E A7 | BOOM POSITION 15°



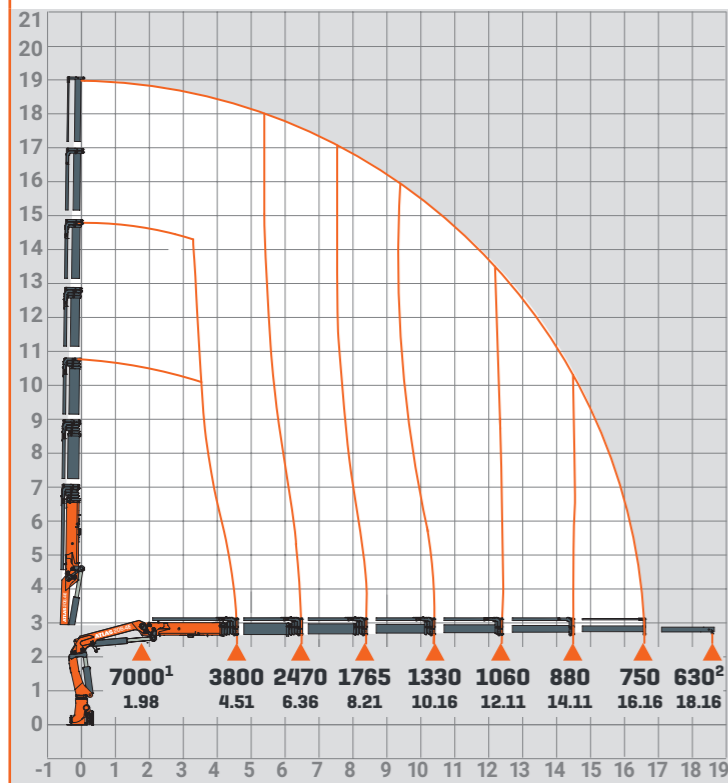
LOAD TABLE

	Payload kg	meter
A¹	6800 ¹	1.98 ¹
B	3630	4.61
C	2330	6.46
D	1640	8.31
E	1210	10.26
F	940	12.21
G	750	14.21
H	630	16.26
I	550	18.21
J²	450 ²	20.21 ²

¹ additional load hook point at jib

² manual extension (optional)

206.4E A6 | BOOM POSITION 15°



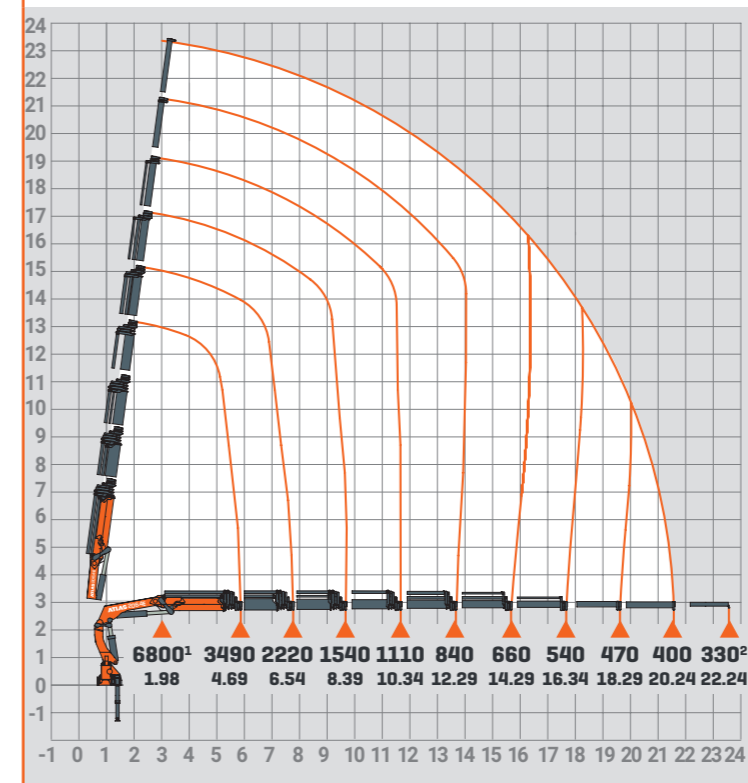
LOAD TABLE

	Payload kg	meter
A¹	7000 ¹	1.98 ¹
B	3800	4.51
C	2470	6.36
D	1765	8.21
E	1330	10.16
F	1060	12.11
G	880	14.11
H	750	16.16
I²	630 ²	18.16 ²

¹ additional load hook point at jib

² manual extension (optional)

206.4E A8 | BOOM POSITION 15°



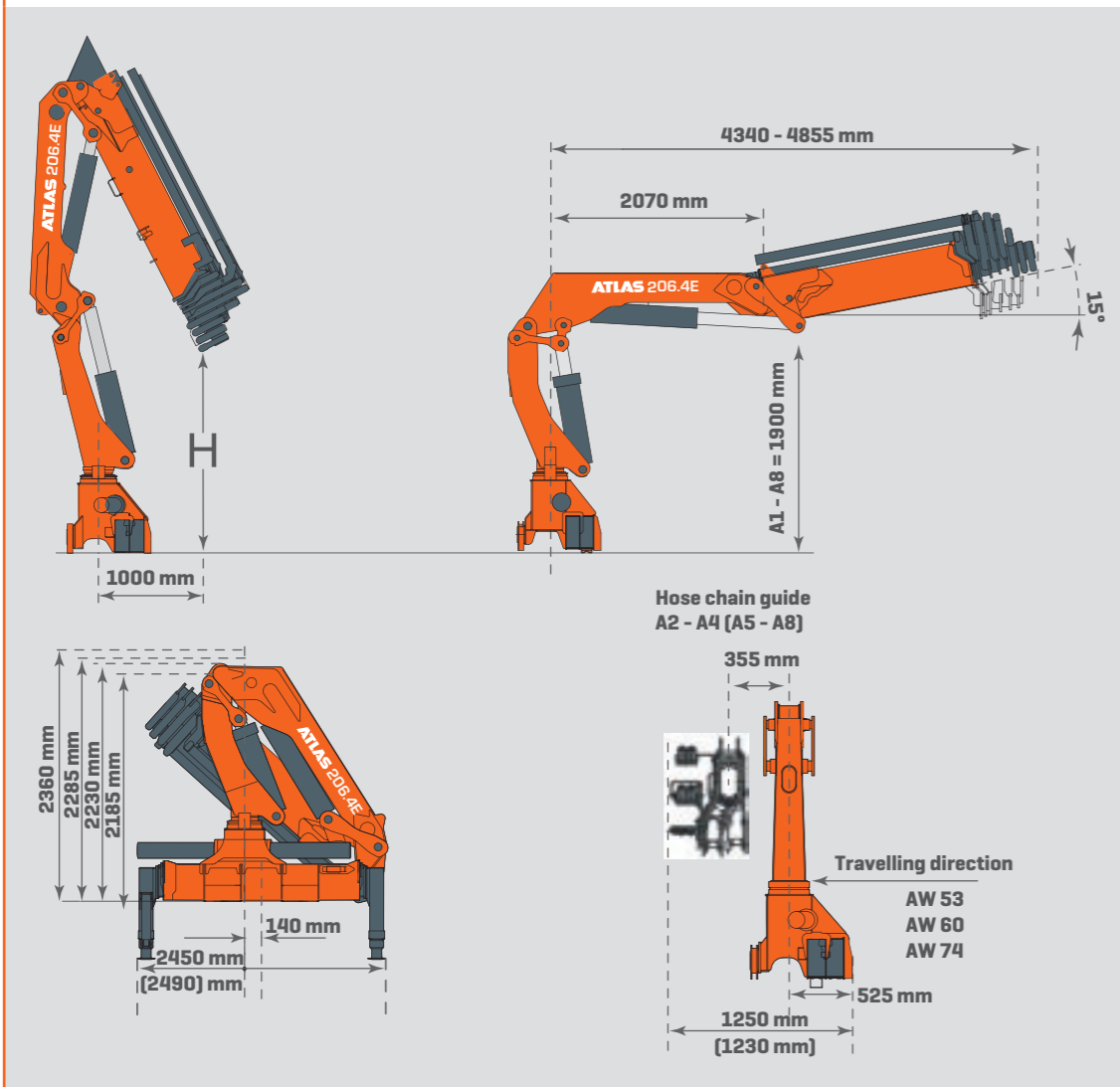
LOAD TABLE

	Payload kg	meter
A¹	6800 ¹	1.98 ¹
B	3490	4.69
C	2220	6.54
D	1540	8.39
E	1110	10.34
F	840	12.29
G	660	14.29
H	540	16.34
I	470	18.29
J	400	20.24
K²	330 ²	22.24 ²

¹ additional load hook point at jib

² manual extension (optional)

AK 206.4E



AK 206.4E

Type ¹	Weight*	H	Operating pressure	Oil flow	Slewing range	Slewing torque	Lifting capacity
	Kg	m	bar	l/min		kNm	kNm
A1	2125*	2.44	310	45	410°	24.3	194.3
A2	2290*	2.38	310	45	410°	24.3	189.5
A3	2445*	2.32	310	45	410°	24.3	185.1
A4	2575*	2.25	310	45	410°	24.3	180.5
A5	2689*	2.17	310	45	410°	24.3	172.1
A6	2829*	2.10	310	45	410°	24.3	168.1
A7	2959*	2.04	310	45	410°	24.3	164.2
A8	3109*	1.95	310	45	410°	24.3	160.6

¹ Values based on standard base unit with load hook.

* Weight without support expansion and support legs.



1919
FOUNDATION
Hinrich Weyhausen founds the company and initially produces agricultural equipment at the Delmenhorst location.

1945
THE FIRST PATENT
The first patent for an ATLAS attachment crane is granted.

1950
FIRST FULLY HYDRAULIC EXCAVATOR
With the first fully hydraulically operated ATLAS excavator, the success story for an entire industry begins.

1956
ATLAS VECHTA
Start-up of the ATLAS factory at Vechta.

1960
ATLAS GANDERKESEE
Start-up of the ATLAS factory at Ganderkesee.

1965
RAIL-ROAD EXCAVATOR
The world's first ATLAS rail-road excavator lays the foundation for a leading position in this market.

1980
ATLAS UK
Start-up of the Bradford, England location for production of ATLAS Cranes. Bradford, England.

1986
ATLAS WHEELED EXCAVATOR 1304
Market launch of the best-selling ATLAS excavator model yet.



2001
CHANGE OF MANAGEMENT
ATLAS is taken over by the American Terex Corporation.

2010
ATLAS MASCHINEN GMBH
The entrepreneur Fil Filipov acquires ATLAS and re-establishes the company as an independent business under the name of "ATLAS Maschinen GmbH".

2012
ATLAS SPARE PARTS GMBH
Foundation of ATLAS Spare Parts GmbH – in order to improve the efficiency of spare parts supply.

2014
NEW MANAGING DIRECTOR
ATLAS expands its product portfolio by tunnel excavators. At the same time, Brahim Stitou is appointed as managing director with sole power of representation of ATLAS Maschinen GmbH.

2015
INNOVATION 3
ATLAS delivers the first electric excavator with many more to follow.

The name of the company is changed from ATLAS Maschinen GmbH to ATLAS GmbH.

2016
ATLAS GROUP SERVICES
Foundation of ATLAS Group Services GmbH. The groups Training (at the ATLAS-owned center), Service, and Warranty are now pooled in this company.

2017
MINI AND MUDI EXCAVATORS
ATLAS expands its product portfolio by mini and midi excavators.

2019
100-YEAR ANNIVERSARY
ATLAS proudly looks back on a 100-year history and duly celebrates the centennial.

2020
READY FOR THE FUTURE
ATLAS presents the first battery-powered excavator. The 200 MH accu is used in recycling for Stadtreinigung Hamburg. Effective immediately, ATLAS machines are equipped with a stage V exhaust after-treatment system. ATLAS manufactures driver's cabs in-house.

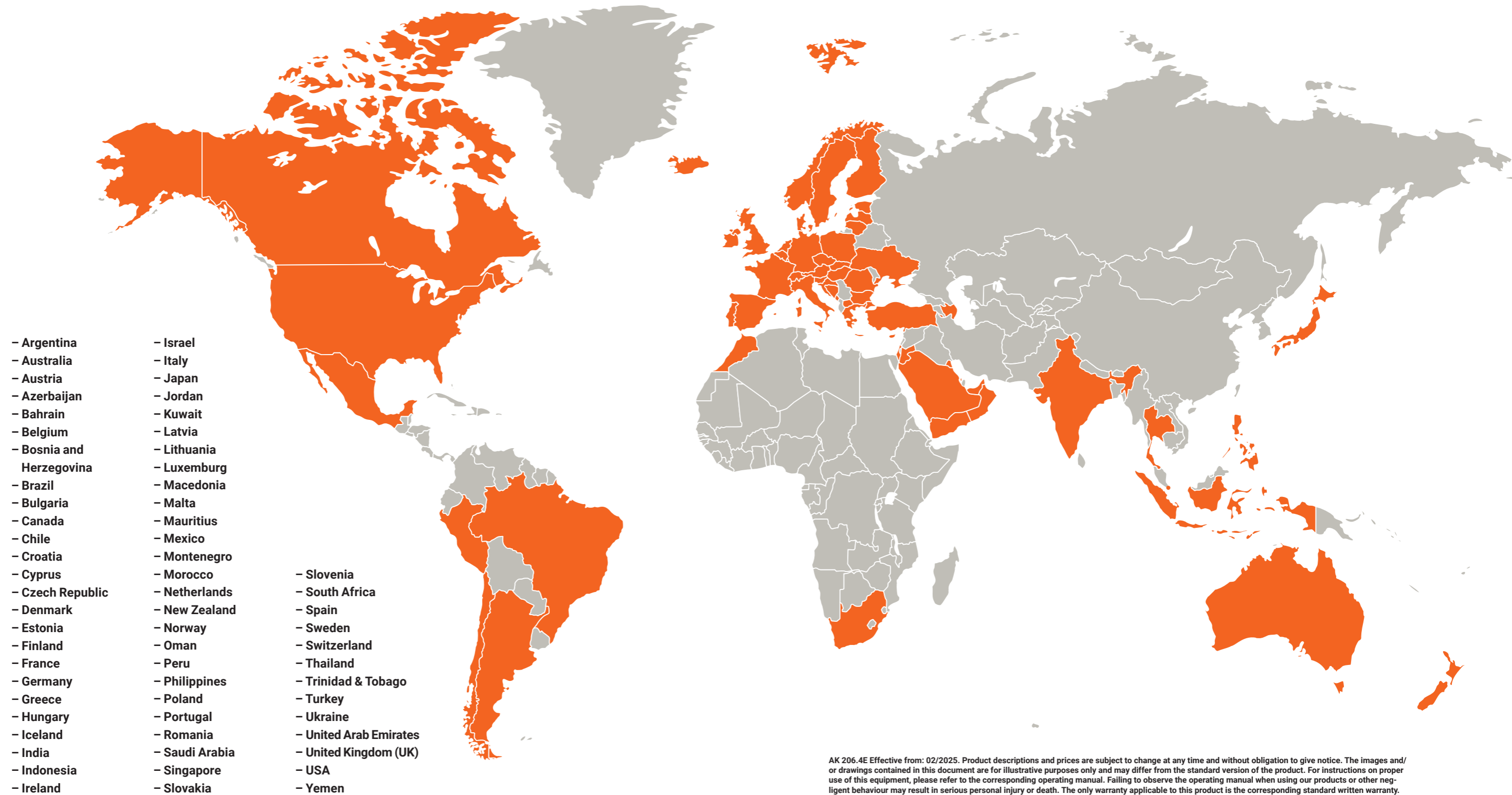
2023
NEW BRAND IDENTITY
ATLAS modernizes its branding, revises the type designations ZW, MH, wheeled, and cranes, and enhances its profile to be well prepared for the future.

2023
4TH GENERATION
With the launch of the xxx.4 cranes, all units to be sold into the European economic market now comply with the new norm EN 12999:2020.

2025
WORKMAN BASKETS
ATLAS cranes can be equipped and operated with TÜV-certified workman baskets. They comply with the latest version of the norm DIN EN 280, which stipulates the highest safety standards and places special emphasis on functional safety.

**INNOVATIVE.
PASSIONATE.
PIONEERING.
SINCE 1919.**

OUR STRONG DEALER NETWORK.



AK 206.4E Effective from: 02/2025. Product descriptions and prices are subject to change at any time and without obligation to give notice. The images and/or drawings contained in this document are for illustrative purposes only and may differ from the standard version of the product. For instructions on proper use of this equipment, please refer to the corresponding operating manual. Failing to observe the operating manual when using our products or other negligent behaviour may result in serious personal injury or death. The only warranty applicable to this product is the corresponding standard written warranty. ATLAS does not provide any warranty beyond this, neither explicitly nor implicitly. The designations of the listed products and services may be trademarks, service marks or trade names of ATLAS GmbH and / or their affiliates. All rights reserved. "ATLAS" is a registered trademark of Atlas GmbH.

Copyright © 2025 ATLAS GmbH.



GANDERKESEE FACTORY

ATLAS GmbH
Atlasstrasse 6
27777 Ganderkesee, Germany
T: +49 (0) 4222 954 0
F: +49 (0) 4222 954 220
info@atlasgmbh.com
www.atlasgmbh.com

VECHTA FACTORY

ATLAS GmbH
Theodor-Heuss-Str. 3
49377 Vechta, Germany
T: +49 (0) 4441 954 0
F: +49 (0) 4441 954 299
info@atlasgmbh.com
www.atlasgmbh.com

DELMENHORST FACTORY

ATLAS GmbH
Stedinger Strasse 324
27751 Delmenhorst, Germany
T: +49 (0) 4221 49 10
F: +49 (0) 4221 491 443
info@atlasgmbh.com
www.atlasgmbh.com

UNITED KINGDOM LOCATION

ATLAS Cranes UK Ltd.
National Sales & Service Facility
Wharfedale Road.
Euroway Trading Est.
Bradford, England BD4 6SL
United Kingdom
T: +44 1274 900 900
atlasuk@atlas-cranes.co.uk
www.atlas-cranes.co.uk