

WORKMAN BASKET

ATLAS

MADE IN GERMANY. SINCE 1919.



TOTAL WEIGHT

MAX. 520 - 620 KG

NET WEIGHT

320 KG

SAFE WORKING LOAD

200 - 300 KG

ATLAS. FOR HIGHER EFFICIENCY.

Experience the culmination of over 100 years of expertise: a perfected design, meticulous attention to detail, and engineering built to last. As a highly efficient and competent manufacturer of premium construction machinery in Germany, ATLAS develops loader cranes, excavators, and material handlers – **all custom-built to exacting specifications**. ATLAS is the machine of choice for the toughest applications and for those who demand uncompromising quality.

**ATLAS POWER OF INNOVATION.
MADE IN GERMANY.**

“For more than a century, our highly motivated employees have devoted themselves to the design and manufacture of tailor-made excavators and cranes that serve to increase productivity while simultaneously lowering your total cost of ownership. The proof of our dedication is reflected in working tenaciously every day in order to create innovative solutions for both old and new challenges. This tradition, which extends over generations, demonstrates our continuous commitment to developing high-quality machines that meet the ever-changing requirements and challenges of our time.”



Brahim Stitou, President & CEO



SAFE, VERSATILE, EFFICIENT

ATLAS WORKMAN BASKETS FOR LOADER CRANES

Working at great heights requires a maximum of functional safety and efficiency. ATLAS workman baskets for loader cranes are made in Germany and provide safe and flexible solutions for maintenance, installation and repair jobs. In just a few steps, they are ready for operation. Whether for municipalities, energy suppliers, landscape gardening, or for working on buildings, bridges, technical installations, lighting systems, or road signs – ATLAS workman baskets can be used for all kinds of applications and facilitate precision work, even in areas that are difficult to access.

All our ATLAS cranes comply with the current safety norms, including DIN EN 12999:2021 for the safety of loader cranes. Fitted with the appropriate special equipment, most of our cranes conform to DIN EN 280-1:2022, which stipulates all requirements for mobile lifting platforms.

Our workman baskets HAK 200 and HAK 300 come with an EC type examination certificate, issued by TÜV Nord. ATLAS workman baskets are operated using a Scanreco radio remote control, which ensures sensitive, precise, and proportional control. Thus, even demanding jobs can be done efficiently and safely. The workman basket provides a stable and protected working platform, specially designed for loader crane applications. The robust design, non-slip platform, and the integrated anchor devices for personal protective gear minimize the risk when working at heights. The integrated insulating base plate ensures safe separation of crane and man basket, thus minimizing the risk of surface conduction. This solution is specially conceptualized for energy suppliers, network operators, and maintenance teams that work in live environments.

With an ATLAS workman basket, you improve the efficiency of your work processes. Quick mounting and dismounting saves valuable time and costs. Your loader crane is not merely used for moving heavy loads but also for working at heights – an economic solution that dispenses with the need for additional investments in separate lifting platforms.

Our workman basket with the patented insulating base plate ensures complete protection when working near power lines or electrical installations. The special electrical insulation separating man basket and machine reliably prevents dangerous power transfers and protects the operating personnel from electrical shock. Made from highly insulating materials, our system meets the highest security standards and complies with all relevant safety regulations.

Invest in safety and efficiency – with an ATLAS workman basket for your loader crane!

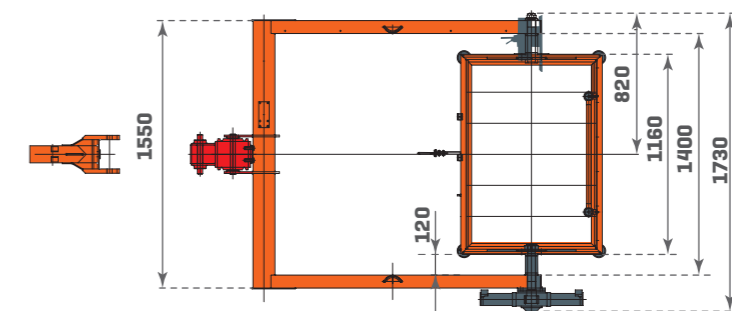
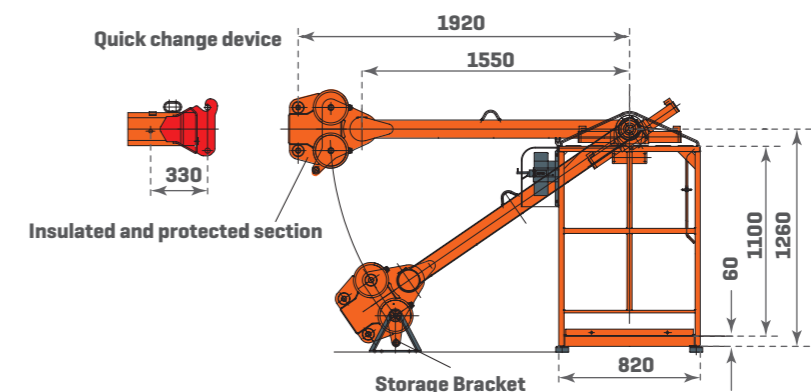


WORKMAN BASKETS

TECHNICAL DATA

Workman basket – type	HAK 200	HAK 300
Max. number of persons	2	2
Total weight	max. 520 kg	max. 620 kg
Net weight	320 kg	320 kg
Safe working load	2 persons and payload = 200 kg	2 persons and payload = 300 kg
Operating voltage	24 Volt	24 Volt
Main relief pressure	max. 90 bar	max. 90 bar
Operating pressure	max. 100 bar	max. 100 bar
Max. wind speed	max. 12.5 m/s	max. 12.5 m/s
Equivalent to wind strength	5 - 6	5 - 6
Max. static lateral force on the working man basket	300 N	300 N
Insulated and protected	max. 1000 Volt	max. 1000 Volt

OPEN OR CLOSED BASKET





1919
FOUNDATION
Hinrich Weyhausen founds the company and initially produces agricultural equipment at the Delmenhorst location.

1945
THE FIRST PATENT
The first patent for an ATLAS attachment crane is granted.

1950
FIRST FULLY HYDRAULIC EXCAVATOR
With the first fully hydraulically operated ATLAS excavator, the success story for an entire industry begins.

1956
ATLAS VECHTA
Start-up of the ATLAS factory at Vechta.

1960
ATLAS GANDERKESEE
Start-up of the ATLAS factory at Ganderkesee.

1965
RAIL-ROAD EXCAVATOR
The world's first ATLAS rail-road excavator lays the foundation for a leading position in this market.

1980
ATLAS UK
Start-up of the Bradford, England location for production of ATLAS Cranes. Bradford, England.

1986
ATLAS WHEELED EXCAVATOR 1304
Market launch of the best-selling ATLAS excavator model yet.



2001
CHANGE OF MANAGEMENT
ATLAS is taken over by the American Terex Corporation.

2010
ATLAS MASCHINEN GMBH
The entrepreneur Fil Filipov acquires ATLAS and re-establishes the company as an independent business under the name of "ATLAS Maschinen GmbH".

2012
ATLAS SPARE PARTS GMBH
Foundation of ATLAS Spare Parts GmbH – in order to improve the efficiency of spare parts supply.

2014
NEW MANAGING DIRECTOR
ATLAS expands its product portfolio by tunnel excavators. At the same time, Brahim Stitou is appointed as managing director with sole power of representation of ATLAS Maschinen GmbH.

2015
INNOVATION 3
ATLAS delivers the first electric excavator with many more to follow.

The newly founded ATLAS Group Services GmbH now provides all training courses, which take place in the in-house training center.

The name of the company is changed from ATLAS Maschinen GmbH to ATLAS GmbH.

2016
ATLAS GROUP SERVICES
The areas of training (in our own center), service and warranty are now concentrated in this own company.

2017
MINI AND MUDI EXCAVATORS
ATLAS expands its product portfolio by mini and midi excavators.

2019
100-YEAR ANNIVERSARY
ATLAS proudly looks back on a 100-year history and duly celebrates the centennial.

2020
READY FOR THE FUTURE
ATLAS presents the first battery-powered excavator. The 200 MH accu is used in recycling for Stadtreinigung Hamburg. Effective immediately, ATLAS machines are equipped with a stage V exhaust after-treatment system. ATLAS manufactures driver's cabs in-house.

2023
NEW BRAND IDENTITY
ATLAS modernizes its branding, revises the type designations ZW, MH, wheeled, and cranes, and enhances its profile to be well prepared for the future.

2023
4TH GENERATION
With the launch of the xxx.4 cranes, all units to be sold into the European economic market now comply with the new norm EN 12999:2020.

2025
WORKING MAN BASKETS
ATLAS cranes can be equipped and erected with TÜV-tested lifting man baskets. They comply with the latest version of the norm DIN EN 280, which stipulates the highest safety standards and places special emphasis on functional safety.

**INNOVATIVE.
PASSIONATE.
PIONEERING.
SINCE 1919.**



GANDERKESEE FACTORY

ATLAS GmbH
Atlasstrasse 6
27777 Ganderkesee, Germany
T: +49 (0) 4222 954 0
F: +49 (0) 4222 954 220
info@atlasgmbh.com
www.atlasgmbh.com

VECHTA FACTORY

ATLAS GmbH
Theodor-Heuss-Str. 3
49377 Vechta, Germany
T: +49 (0) 4441 954 0
F: +49 (0) 4441 954 299
info@atlasgmbh.com
www.atlasgmbh.com

DELMENHORST FACTORY

ATLAS GmbH
Stedinger Strasse 324
27751 Delmenhorst, Germany
T: +49 (0) 4221 49 10
F: +49 (0) 4221 491 443
info@atlasgmbh.com
www.atlasgmbh.com

UNITED KINGDOM LOCATION

ATLAS Cranes UK Ltd.
National Sales & Service Facility
Wharfedale Road.
Euroway Trading Est.
Bradford, England BD4 6SL
United Kingdom
T: +441 274 900 900
atlasuk@atlas-cranes.co.uk
www.atlas-cranes.co.uk